

MBB Marketing & Branding Bulletin

Bulletin Number: 2016-03 • Date: October 7, 2016

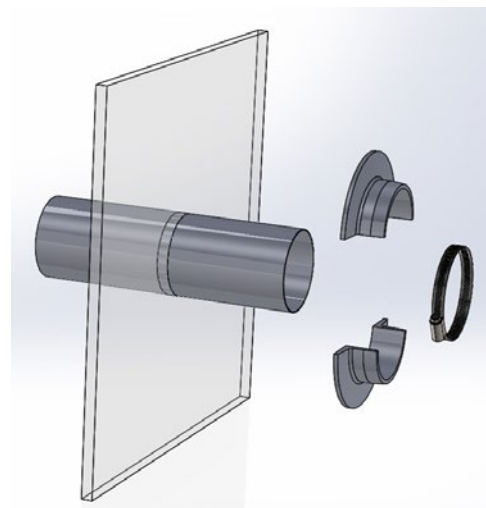
Split Sump Entry Fitting

NOV Fiber Glass Systems is pleased to announce an extension of our line of bonded fiberglass sump entry fittings. Our new Split Sump Entry Fitting (SSEF) is a pass-thru pipe penetration fitting designed to be used with 3/4" and 1" conduit as well as 2" - 4" Red Thread™ IIA and Dualoy™ fiberglass pipe. These fittings are comprised of two halves which are bonded together with PSX-34 Adhesive. A single hose clamp is tightened around the neck of the fitting to secure it firmly to the pipe and prevent movement during the adhesive curing process. These fittings are highly engineered and produced with the same compression-molded fiberglass technology as our other UL971-listed fittings. This fitting design is an easy-to-install and economical option for both new construction and retrofits.

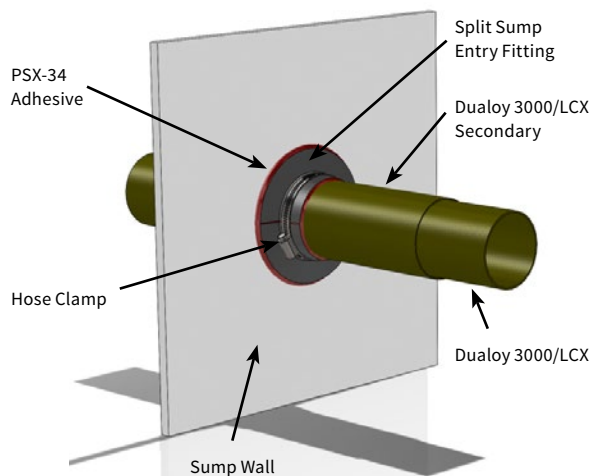
These fittings are available immediately, so please contact your local NOV Fiber Glass Systems distributor for ordering information. The New SSEFs available are:

Item	Part No.	List Price	Parts Per Box
2" LCX SSEF	012020-629-0	\$54.90	15
3" LCX SSEF	012030-629-0	\$69.90	9
4" LCX SSEF	012040-629-0	\$99.90	8
2" RTIIA SSEF	012020-628-0	\$54.90	15
3" RTIIA SSEF	012030-628-0	\$69.90	9
4" RTIIA SSEF	012040-628-0	\$99.90	8
3/4" Conduit SSEF	012075-628-0	\$34.90	24
1" Conduit SSEF	012010-628-0	\$34.90	24

Thank you for your continued support of NOV Fiber Glass Systems. If you have questions, or need more information, please contact your local Sales Representative.



Split Sump Entry Fitting



Complete Split Sump Entry Fitting assembly example